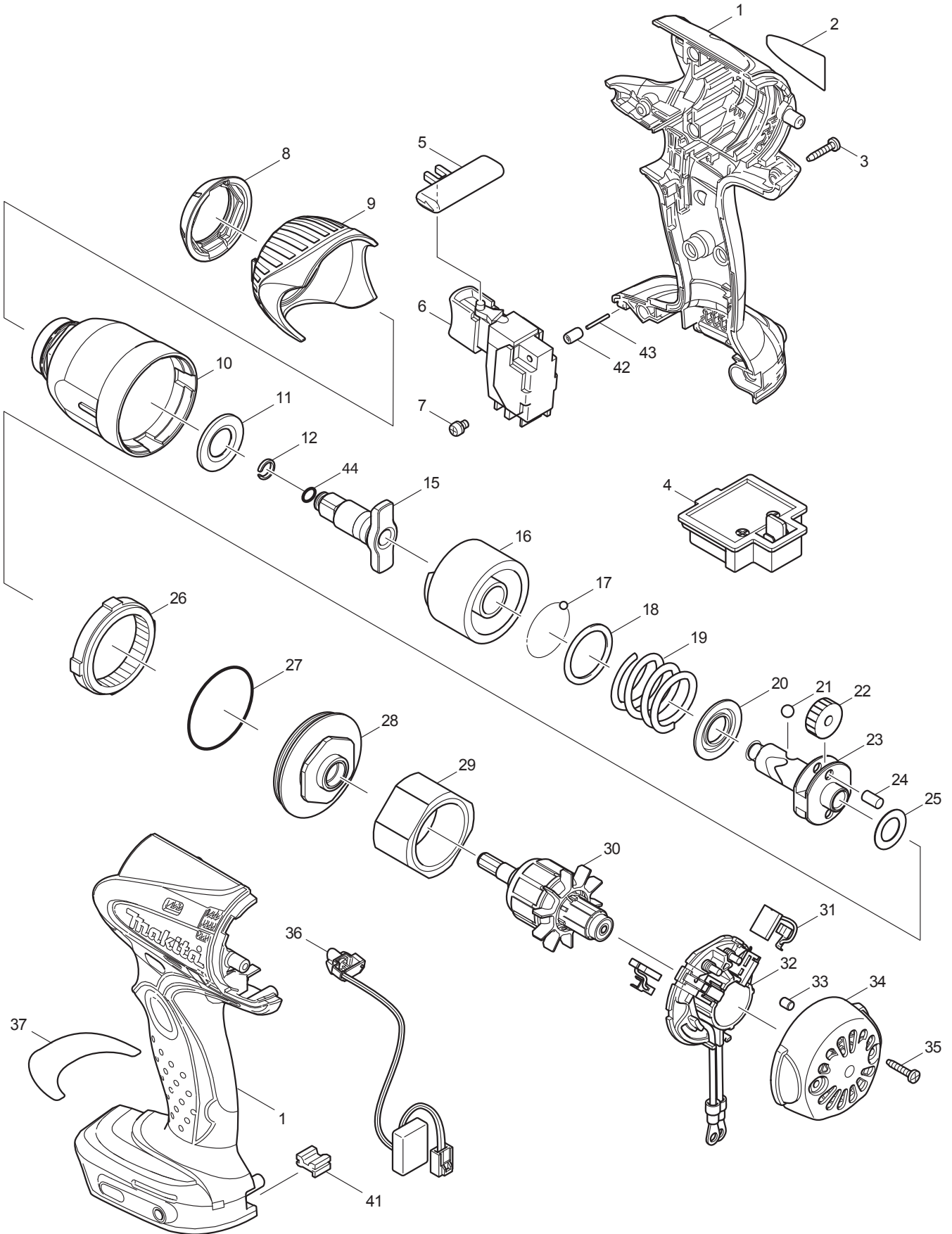




12 - 2013  
DTW253F / DTW253RFE / DTW253Z  
18V IMPACT WRENCH, 3/8" HEX



Item No	Type	Ref	Part No	Description	Qty	Unit
001			188243-5	HOUSING SET	1	SET
001		INC.	263005-3	RUBBER PIN 6	2	PC.
002			850B15-7	DTW253 NAME PLATE	1	PC.
003			266130-9	TAPPING SCREW BIND PT 3X16	8	PC.
004			643852-2	TERMINAL	1	PC.
005			419041-9	F/R CHANGE LEVER	1	PC.
006			650652-3	SWITCH TG553FSB-1B	1	PC.
007			652045-0	+PAN HEAD SCREW M3.5X5	2	PC.
008			424369-2	BUMPER	1	PC.
009			452393-5	HAMMER CASE COVER	1	PC.
010			154590-6	HAMMER CASE COMPLETE	1	PC.
011			261108-7	NYLON WASHER 14	1	PC.
012			233943-3	RING SPRING 8	1	PC.
015			324921-5	ANVIL	1	PC.
016			324810-4	HAMMER	1	PC.
017			216001-0	STEEL BALL 3.5	24	PC.
018			267175-0	FLAT WASHER 24	1	PC.
019			234074-1	COMPRESSION SPRING 25	1	PC.
020			267766-7	CUP WASHER 14	1	PC.
021			216011-7	STEEL BALL 5.6	2	PC.
022	1		226336-1	SPUR GEAR 22	2	PC.
	2		227362-3	SPUR GEAR 22	2	PC.
023			324552-0	SPINDLE	1	PC.
024			256253-1	PIN 5	2	PC.
025			267212-0	FLAT WASHER 12	1	PC.
026			227150-8	INTERNAL GEAR 51	1	PC.
027			213507-9	O RING 40	1	PC.
028			158145-9	BEARING BOX COMPLETE	1	PC.
029			638495-3	YOKE UNIT	1	PC.
030	2		619375-2	ARMATURE	1	PC.
031	2		198887-3	* CARBON BRUSH CB-5, 2PCS/SET	1	SET
032	2		632G49-0	* BRUSH HOLDER COMPLETE	1	PC.
		INC.	689181-9	* SPACER (Added -N/A Individually)	2	PC.
		INC.		* Item No. 31		
032	3		632L18-1	* BRUSH HOLDER COMPLETE	1	PC.
		INC.		* Item No. 31	1	PC.
033			263032-0	RUBBER PIN 4	2	PC.
034			418981-8	REAR COVER	1	PC.
035			266130-9	TAPPING SCREW BIND PT 3X16	2	PC.
036			631693-8	LIGHT CIRCUIT	1	PC.
037			802V69-0	CAUTION LABEL	1	PC.
041	2		424476-1	CUSHION	1	PC.
042			263036-2	RUBBER PIN 5	1	PC.
043			268184-2	PIN 1.5	1	PC.
044			213960-9	O RING 5	1	PC.

### **ACCESSORIES**

- See catalogue or visit [www.makita.ca](http://www.makita.ca) for more accessories information -

A01			DC18RC	RAPID CHARGER DC18RC	1	PC.
A02			-----	18V LI-ION BATTERY		
A03			141205-4	PLASTIC CARRYING CASE	1	PC.
		INC.	324207-7	SHAFT	1	PC.
		INC.	413098-2	PLATE	4	PC.
		INC.	417724-5	LATCH	2	PC.
		INC.	419215-2A	PLASTIC CASE LID	1	PC.
		INC.	419216-0	HANDLE	1	PC.
A04			-----	LI-ION BATTERY ACCESSORIES		

Item No	Type	Ref	Part No	Description	Qty	Unit
A05	2		806B72-3	DTW253RFE MODEL NO. LABEL	1	PC.

**SERVICE CHANGES**

**1. Changes on Brush Holder Complete**

(TI# B1033)

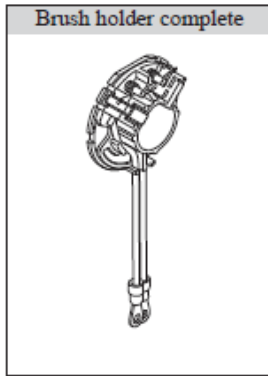
(TI# C4463)

Item No.	Description	Type 1	Type 2	Type 3
32	Brush Holder Complete	638498-7	632G49-0	632L18-1
32_INC.	Spacer	-----	689181-9	---
31	Carbon Brush	196855-0	196855-0	198887-3

Above parts are completely interchangeable as a set.

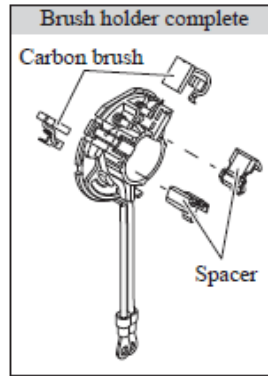
*Type 1*

- Without Spacer
- Without Carbon brush



*Type 2*

- With Spacer
- With Carbon brush



*\*Type 3 - Spacer removed*

**SERVICE CHANGES**

**1. Changes on Brush Holder Complete**

(TI# B1033)

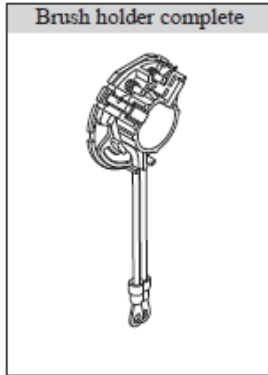
(TI# C4463)

Item No.	Description	Type 1	Type 2	Type 3
32	Brush Holder Complete	638498-7	632G49-0	632L18-1
32_INC.	Spacer	-----	689181-9	---
31	Carbon Brush	196855-0	196855-0	198887-3

Above parts are completely interchangeable as a set.

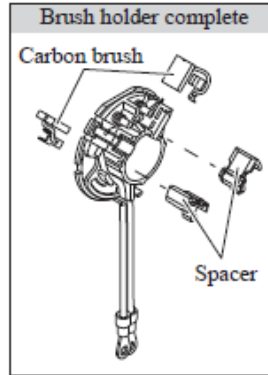
*Type 1*

- Without Spacer
- Without Carbon brush



*Type 2*

- With Spacer
- With Carbon brush



*\*Type 3 - Spacer removed*